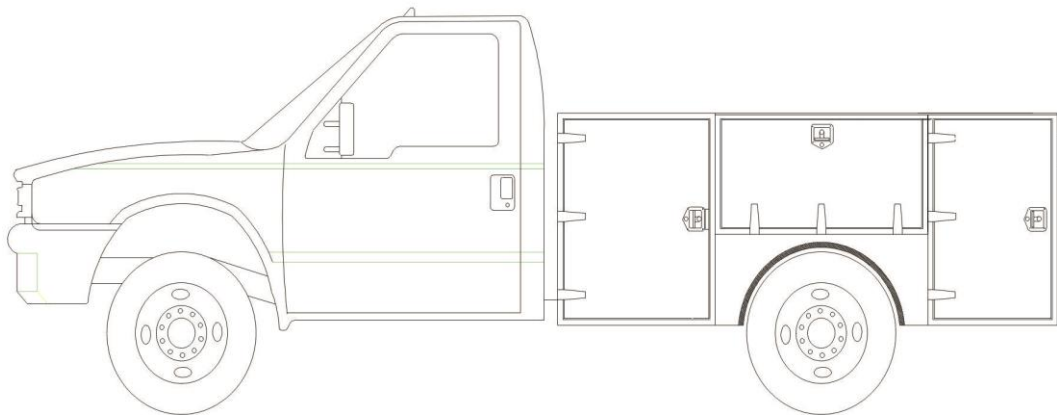
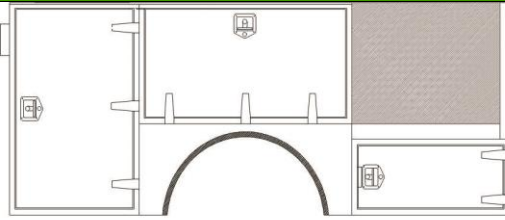


# SERVICE TRUCK – 9 FT ALUMINUM

**4009  
SERIES**

## TECHNICAL SPECIFICATIONS



## SPECIFICATIONS

CAB TO AXLE REQUIRED	60"	
BODY WIDTH	96"	
SIDE HEIGHT	42"	
SIDE DEPTH	20"	
CARGO DECK WIDTH	55 ¼"	
TAILGATE HEIGHT	10"	
STORAGE CAPACITY	166 SQUARE FEET	
<b>CABINET DIMENSIONS</b>	<b>WIDTH</b>	<b>HEIGHT</b>
CURB SIDE 1 <sup>ST</sup>	34"	75 ½" WELDER AREA
CURB SIDE 2 <sup>ND</sup>	34"	15"
CURB SIDE HORIZONTAL	46"	24"
CURB SIDE REAR	28"	42"
STREET SIDE 1 <sup>ST</sup>	34"	42"
STREET SIDE 2 <sup>ND</sup>	NA	NA
STREET SIDE HORIZONTAL	46"	24"
STREET SIDE REAR	28"	42"

**JOMAC LTD**  
182 Scio Road  
Carrollton, Ohio 44615

Phone: 800-755-4488  
Fax: 330-627-2508  
Website: [www.JOMACLTD.com](http://www.JOMACLTD.com)