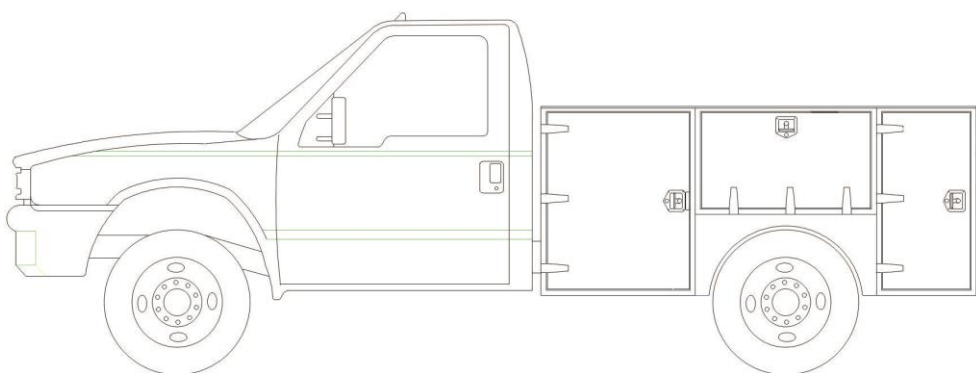
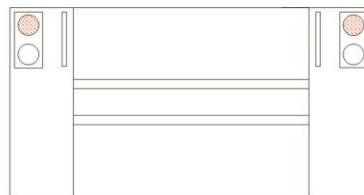
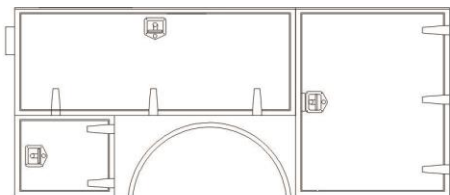


# SERVICE TRUCK – 8 FT ALUMINUM

**4008  
SERIES**

## TECHNICAL SPECIFICATIONS



## SPECIFICATIONS

CAB TO AXLE REQUIRED	56"	
BODY WIDTH	80"	
SIDE HEIGHT	42"	
SIDE DEPTH	14"	
CARGO DECK WIDTH	51 1/4"	
TAILGATE HEIGHT	10"	
STORAGE CAPACITY	125 SQUARE FEET	
<b>CABINET DIMENSIONS</b>	<b>WIDTH</b>	<b>HEIGHT</b>
CURB SIDE 1 <sup>ST</sup>	34"	42"
CURB SIDE 2 <sup>ND</sup>	NA	NA
CURB SIDE HORIZONTAL	40"	24"
CURB SIDE REAR	22"	42"
STREET SIDE 1 <sup>ST</sup>	34"	42"
STREET SIDE 2 <sup>ND</sup>	NA	NA
STREET SIDE HORIZONTAL	62"	24"
STREET SIDE REAR	22"	18"

**JOMAC LTD**  
**182 Scio Road**  
**Carrollton, Ohio 44615**

**Phone: 800-755-4488**  
**Fax: 330-627-2508**  
**Website: [www.JOMACLTD.com](http://www.JOMACLTD.com)**